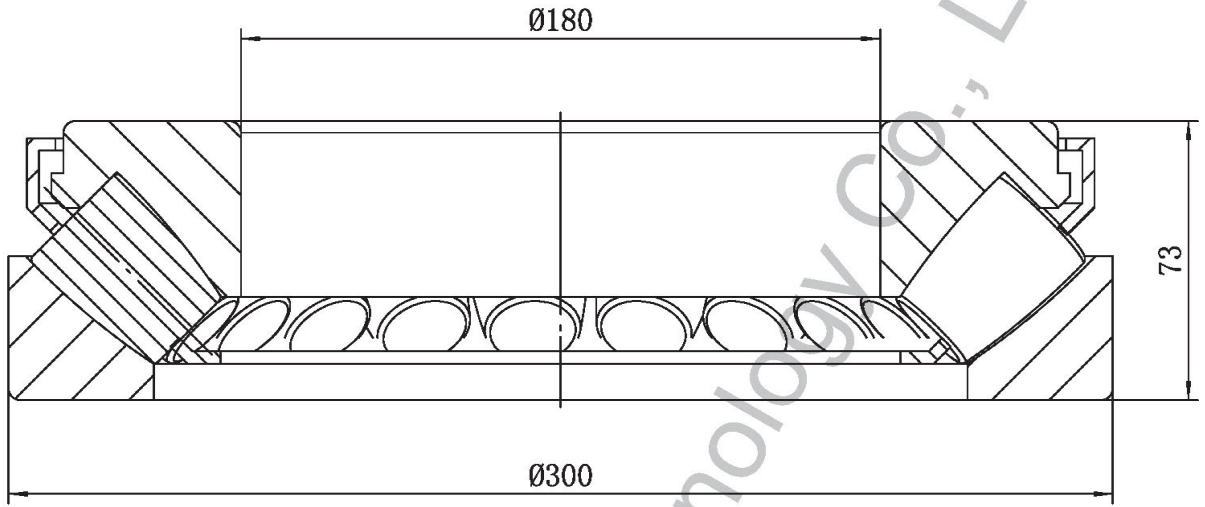


29336 E



- 1 rated load: $C_r = 1430 \text{ KN}$; $C_{or} = 4300 \text{ KN}$;
- 2 Heat treatment according to the current standards

Remark:

- 1. Luoyang JCB Bearing Technology Co., Ltd is a technical Inc, specialize in designing and manufacturing thrust bearing, we can design and manufacture all kinds of thrust bearing according to client's requirement.
- 2. This drawing is reference for user, if you need formal drawing, please contact with us sales@jcb-bearing.com, the official drawing will be submitted after order confirmation.



07	cage		STEEL			
04	roller		steel GCr15-GB/T18254			
02	shaft washer		steel GCr15SiMn-GB/T18254			
01	house washer		steel GCr15SiMn-GB/T18254			Weight (kg)
serial	Name	Qty	Material			19.5
				<p>29336 E</p> <p>Add: No.3 Lianmeng road, Luoyang, Henan, China.</p> <p>Postal: 471003 Website: www.jcb-bearing.com</p> <p>Phone: +86-379-68611678 www.sphericalrollerthrustbearing.com</p> <p>Fax: +86-379-68611679</p> <p>E-mail: sales@jcb-bearing.com</p> <p>Luoyang JCB Bearing Technology Co., Ltd</p>		